

Home → Spec Search → Lifting & Material Handling → Rough Terrain Crane → Grove → RT855B

**GROVE RT855B ROUGH TERRAIN CRANE**

[VIEW ARTICLES ON THIS ITEM](#)

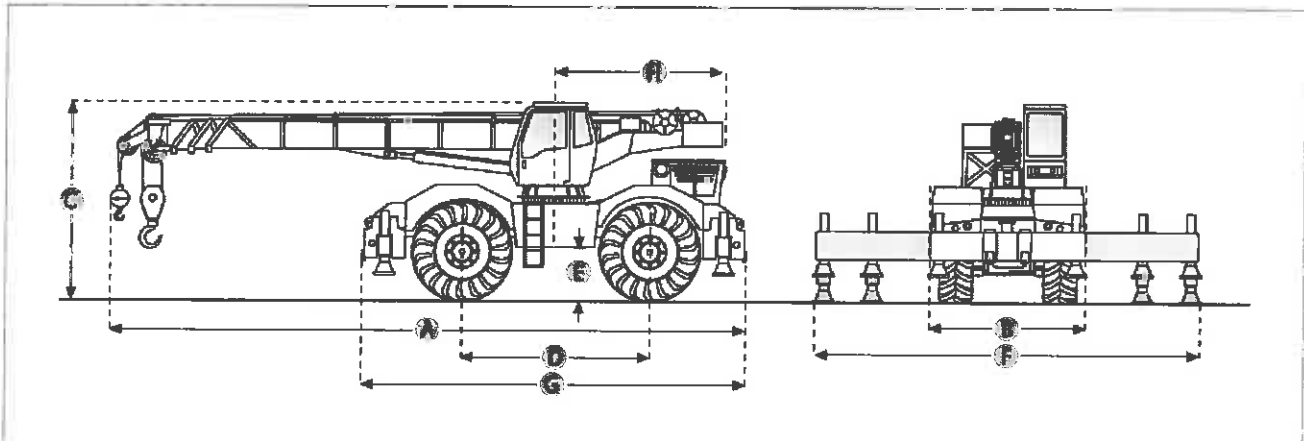
[Print specification](#)

Looking to purchase this item?

Need to sell equipment?

[Find a Grove RT855B Rough Terrain Crane](#) being sold at Ritchie Bros. auctions.

[Complete this form](#) and a Ritchie Bros. representative will contact you.

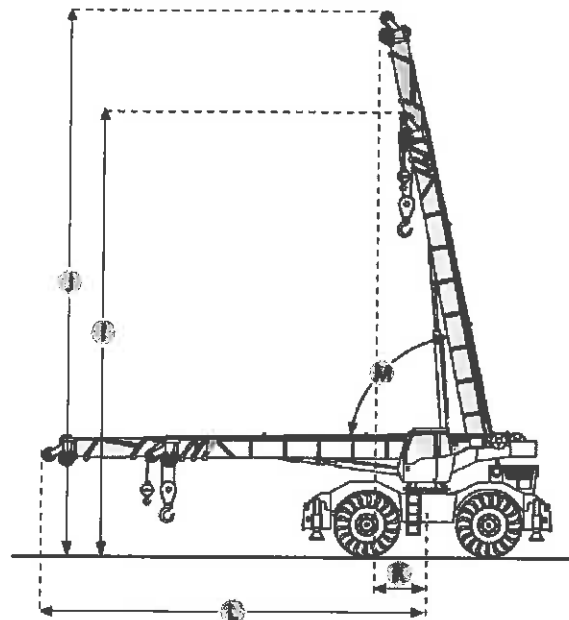


Selected Dimensions

Boom		
I. MIN HEIGHT @ MAX RAISE ANGLE	37 ft in	11.3 m
J. MAX HEIGHT @ MAX RAISE ANGLE - NO JIB	115 ft in	35.1 m
K. MIN OPERATING RADIUS	10 ft in	3 m
L. MAX OPERATING RADIUS	105 ft in	32 m
M. MAX ELEVATING ANGLE	78 degrees	
Dimensions		
A. TRANSPORT LENGTH	44.5 ft in	13557 mm
B. TRANSPORT WIDTH	10.9 ft in	3315 mm
C. TRANSPORT HEIGHT	12.7 ft in	3870 mm
D. WHEELBASE	13.3 ft in	4064 mm
E. GROUND CLEARANCE	1.2 ft in	365 mm
F. WIDTH W/ OUTRIGGERS EXTENDED	26 ft in	7925 mm
G. CARRIER/BASE LENGTH	28.3 ft in	8611 mm
H. UPPER STRUCTURE TAIL SWING RADIUS	14 ft in	4280 mm

Specification

Engine		
MAKE	Cummins	
MODEL	6CTA 8.3	
GROSS POWER	249.4 hp	186 kw
POWER MEASURED @	2200 rpm	
MAX TORQUE	794.4 lb ft	1077 Nm
TORQUE MEASURED @	1800 rpm	
DISPLACEMENT	506.5 cu in	8.3 L
ASPIRATION	turbocharged	
Operational		
OPERATING WEIGHT	92667 lb	42033 kg
FUEL CAPACITY	80 gal	303 L
HYDRAULIC SYSTEM FLUID CAPACITY	200 gal	757.1 L
OPERATING VOLTAGE	24 V	
TIRE SIZE	29.5x25-28PR	
Transmission		



TYPE	full powershift	
NUMBER OF FORWARD GEARS	6	
NUMBER OF REVERSE GEARS	6	
MAX SPEED - FORWARD	24.9 mph	40 km/h
<b>Boom</b>		
NUMBER OF SECTIONS	4	
MIN HEIGHT @ MAX RAISE ANGLE	37 ft in	11.3 m
MAX HEIGHT @ MAX RAISE ANGLE - NO JIB	115 ft in	35.1 m
MAX ELEVATING ANGLE	78 degrees	
MAX LIFT CAPACITY	110000 lb	49895.2 kg
SWING SPEED	2 rpm	
MIN OPERATING RADIUS	10 ft in	3 m
MAX OPERATING RADIUS	105 ft in	32 m
<b>Dimensions</b>		
TRANSPORT LENGTH	44.5 ft in	13557 mm
TRANSPORT WIDTH	10.9 ft in	3315 mm
TRANSPORT HEIGHT	12.7 ft in	3870 mm
GROUND CLEARANCE	1.2 ft in	365 mm
WHEELBASE	13.3 ft in	4064 mm
WIDTH W/ OUTRIGGERS EXTENDED	26 ft in	7925 mm
CARRIER/BASE LENGTH	28.3 ft in	8611 mm
UPPER STRUCTURE TAIL SWING RADIUS	14 ft in	4280 mm

© 2007-2014 RitchieSpecs Equipment Specifications Ritchie Bros. Auctioneers © | [Terms of Use](#) | [Privacy Statement](#)  
 OEM specifications are provided for base units. Actual equipment might vary with options.